

AF440 Kitchen Sink Faucet



**Models: AF440-SN
AF440-AB
AF440-CP**

Dimensions

- Height: 11.8"
- Spout Reach: 8.2" center to center


Color/Finishes

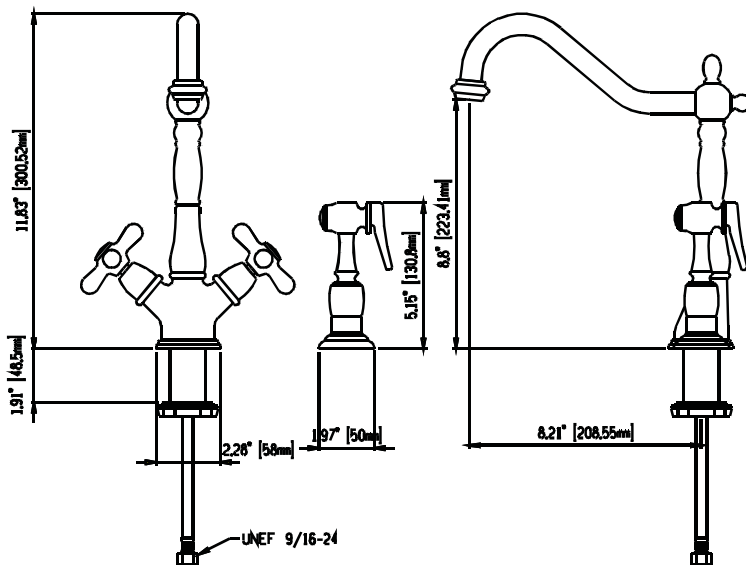
Satin Nickel: AF440-SN
Antique Bronze: AF440-SN
Chrome: AF440-CP

Features

- High quality solid brass construction
- Durable ceramic disc cartridge
- Three finishes:
 - Triple satin nickel plating
 - Antique bronze rich old world finish
 - Polished Chrome
- One-handle lever design for ease of use
- Engineered for long service
- Limited lifetime warranty
- 2.2 gallons per minute maximum flow rate

Codes/Standards Applicable

-  ASME A112.18.1-2005/CSA B125.1-05
- Meets requirements for AB1953 - January 1, 2010
- NSF/ANSI 61



Product Specification

The contemporary pull-out kitchen sink faucet shall be of metal construction. This product shall have a maximum flow rate of 2.2 gallons per minute. This product shall have a one-piece, self-contained ceramic disc valve allowing volume and temperature control. This product has temperature memory, allowing the faucet to be turned on and off at any temperature setting. Product shall feature a sprayhead with spray, laminar flow, and pause settings. Product features a nylon hose and ball joint for easy operation and ADA compliant lever handle.

Kitchen faucet shall be Artisan Model AF _____ Finish _____